

PLA190 19 Inch Rack Adapter

Accessories

Description

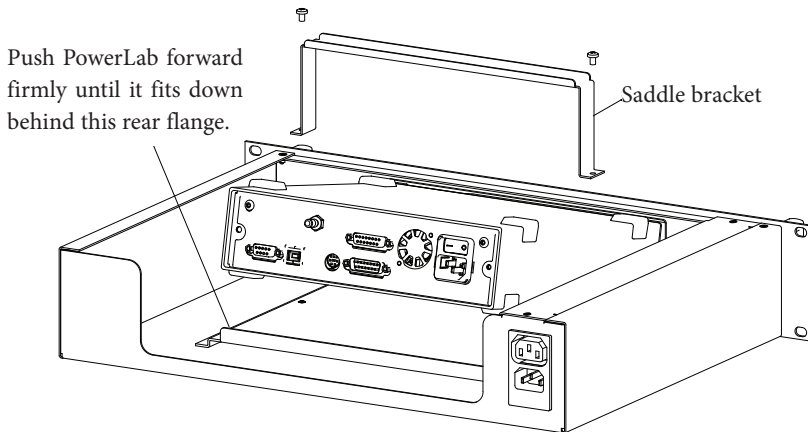
The PLA190 Rack Adapter converts any 35 series model PowerLab system* into a 19 inch × 2 Units high (3.5 inch) rack mountable enclosure. Power is controllable through a front panel switch.



Assembly

Remove the two screws holding the saddle bracket. Place the PowerLab into the chassis and push it through the front panel of the rack adapter. Push firmly until the rear of the PowerLab sits down flat. Replace the saddle bracket. Connect the PowerLab power socket to the rear of the rack adapter using the cable supplied. Connect the rack adapter to a power outlet.

Warning: The Rack Adapter must be supported in a rack using support rails.



Exploded view of the assembly of the PLA190 Rack Adapter.

Caution

Read “Statement of Intended Use” on our website or in “Getting Started with PowerLab” before use.

Ordering Information:

PLA190 19 inch Rack Adapter

For use with:

PL3504 PowerLab 4/35

PL3508 PowerLab 8/35

PL3516 PowerLab 16/35

*Also for use with:

FE228 Octal Bridge Amp